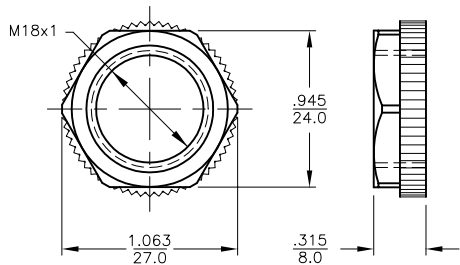
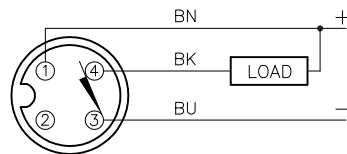


LOCKNUT LN-P18



WIRING DIAGRAM

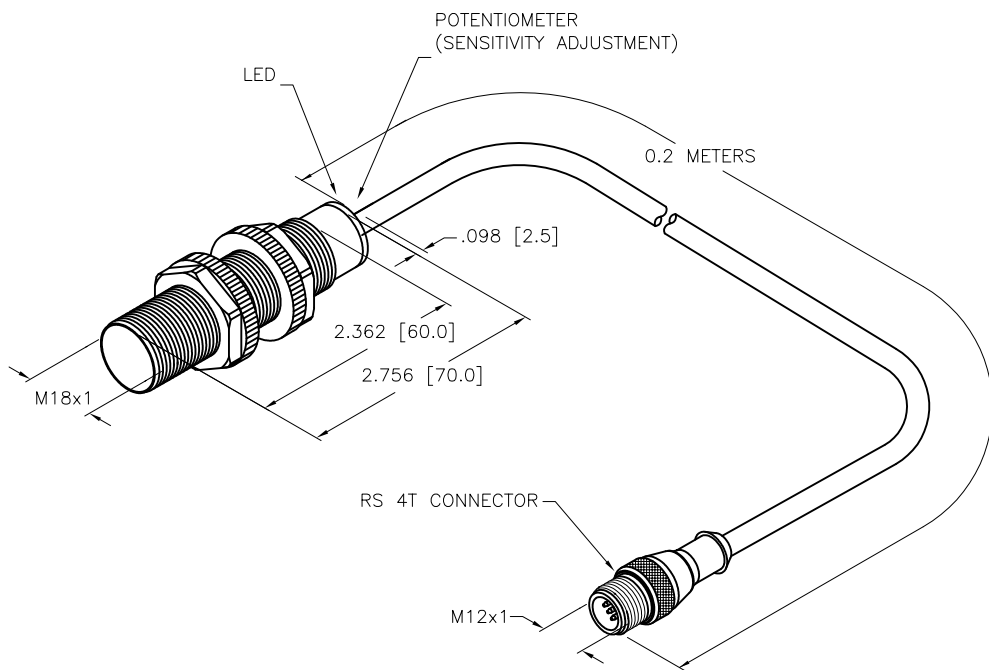


OUTPUT: RN4X

SHORT-CIRCUIT AND OVERLOAD PROTECTED

SPECIFICATIONS

RATED SWITCHING DISTANCE	5mm = .197"
HYSTERESIS	2-20%
TEMPERATURE DRIFT	≤ ± 20%
REPEAT ACCURACY	≤ 2%
AMBIENT TEMPERATURE	-25°C to +70°C (-13°F to +158°F)
OPERATING VOLTAGE	10-65 VDC
RESIDUAL RIPPLE	≤ 10%
DC RATED OPERATIONAL CURRENT	≤ 200 mA
NO-LOAD CURRENT	≤ 15 mA
RESIDUAL CURRENT	≤ 0.1 mA
SWITCHING FREQUENCY	≤ 0.1 kHz
RATED INSULATION VOLTAGE	≤ 0.5 kV
OUTPUT FUNCTION	3-WIRE, NORMALLY CLOSED, NPN
SHORT-CIRCUIT PROTECTION	YES
MAX. VOLTAGE DROP	≤ 1.8 V
WIRE BREAK PROTECTION	INCORPORATED
REVERSE POLARITY PROTECTION	INCORPORATED
HOUSING MATERIAL	PLASTIC, PA12-GF30
ACTIVE FACE MATERIAL	PLASTIC, PA12-GF30
CABLE	ø5.2, LiYY, PVC,
VIBRATION RESISTANCE	55 Hz (IN ALL 3 PLANES)
SHOCK RESISTANCE	30 g, 11 ms
PROTECTION DEGREE	IP67
SWITCHING STATUS INDICATION	LED; YELLOW



SOURCE DRAWING - FOR REFERENCE ONLY

RELATED DOCUMENTS 1. 2. 3. 4.	3RD ANGLE PROJECTION 	THIS DRAWING IS CONFIDENTIAL AND THE PROPERTY OF TURCK INC. USE OF THIS DOCUMENT WITHOUT WRITTEN PERMISSION IS PROHIBITED.		3000 CAMPUS DRIVE MINNEAPOLIS, MN 55441 1-800-544-7769 (763) 553-7300 (763) 553-0708 fax www.turck.us		
	MATERIAL SEE SPECS	ALL DIMENSIONS DISPLAYED ON THIS DRAWING ARE FOR REFERENCE ONLY	DRFT RDS DATE 12/12/07	DESCRIPTION BCF5-S18-RN4X-0.2M-RS4T		
			APVD MH SCALE 1=1.8	IDENTIFICATION NO. 2503087		REV B
	FINISH	CONTACT TURCK FOR MORE INFORMATION	UNIT OF MEASUREMENT INCH [MILLIMETER]		FILE: 2503087	

B	UPDATE ID NUMBER PER HARMONIZATION PROJECT	CBM	11/06/17	
REV	DESCRIPTION	BY	DATE	ECO NO.

DO NOT SCALE THIS DRAWING

SHEET 1 OF 1